

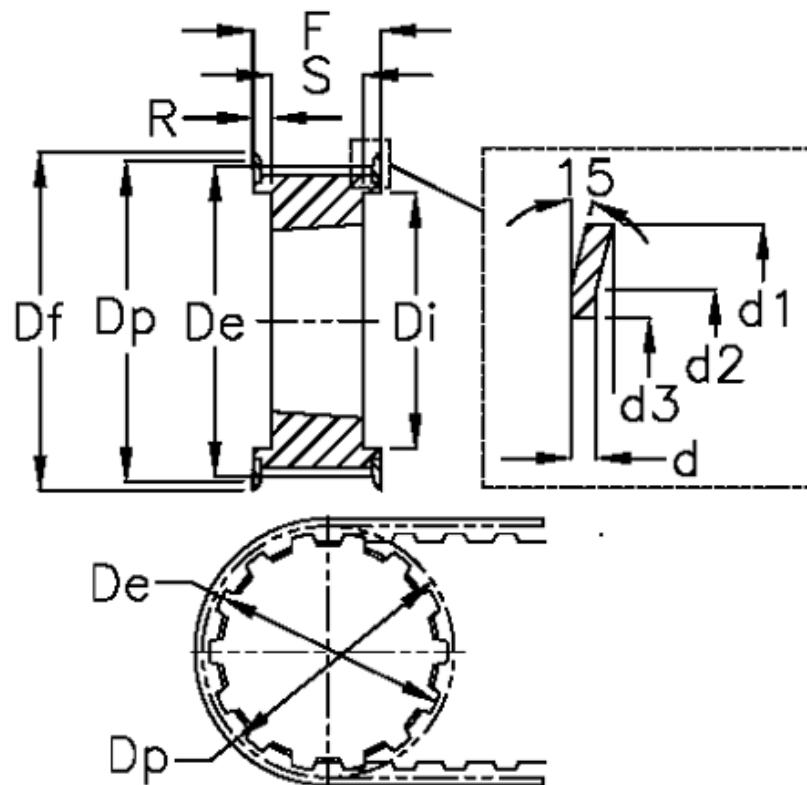
# Data Sheet



Article number: 604133028040

Description: Taper bored timing belt pulley  
HTD 28 14M 40 TL 2012

## Measures



d = 2.5	F = 54	Weight = 2.07
d1 = 128	Flange type = F40	Width = 40
d2 = 124	For bushing = 2012	
d3 = 107	Max bore = 50	
De = 122.12	r = 11	
Df = 128	S = 32	
Di = 94	Tooth number = 28	
Dp = 124.78	Type = 14M	